

Seals: O-Ring [16.5mm ID X 1.5mm CS] Metric, N-70, Static

039-00-205
Spring, Comp. Check

044-06-060
Valve: [1.600 X .252 X .006]

GREASE:
THIN LAYER
OF SLICK HONEY

040-20-066
Valve: [0.660 OD X 0.377 ID X 0.020 TH]

210-22-877
Reflow Cap, FIT 4

OIL:
THIN LAYER OF FOX R3 DAMPER OIL
P/N 025-06-002 ON OD AND ID

IMPORTANT:
NOTE ORIENTATION
OF SPRING

210-22-887
Bladder Seal Ring Lower, FIT4

TORQUE:
55±5 IN.LB.

038-00-063
RING: INTERNAL SMALLLEY (VH-100-S02)

GREASE:
THIN LAYER
OF SLICK HONEY

210-22-303
Bladder, 010 RL_RLC

210-22-996
Shaft: Coupler, 0.375" OD X 0.254" ID, 7075-T6, FIT4

IMPORTANT:
MAKE SURE
IS FULLY SEATED

GREASE:
THIN LAYER
OF SLICK HONEY

029-03-020
O-Ring (-020) [1.070 C.S. X .864 ID]

IMPORTANT:
DO NOT SEAT UNTIL
ENTIRE CART. IS TORQUED

210-22-886
Bladder Seal Ring Upper, FIT4

210-22-997
Compression Piston Clamp, FIT4

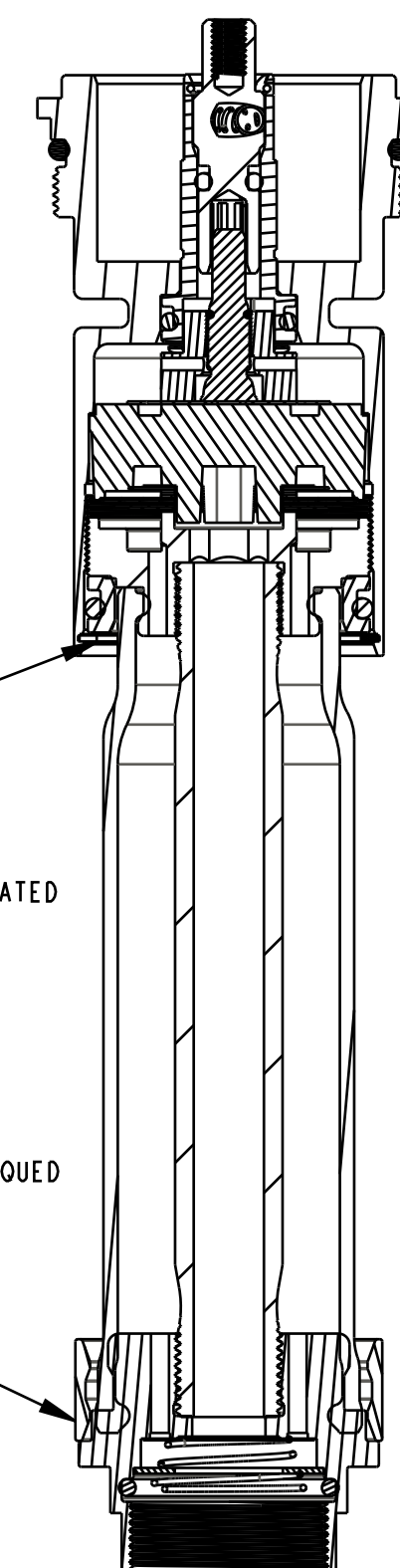
TORQUE:
55±5 IN.LB.

820-03-461-KIT
COMPRESSION VALVING ASSY

820-03-463-KIT
TOP CAP COMPRESSION PARTS

029-03-022-A
TOPCAP O-RING

TOPCAP BODY



SECTION A-A
SCALE 1.500

FOX Factory, Inc. Ph 831-768-1100
130 Hangar Way, Watsonville, CA 95076 USA Fax 831-768-9312

TITLE
**2016 32 P-S
FIT4 Topcap**

SIZE DWG. NO.
C
PLOT SCALE | .00:1 | SHEET 1 OF 1

PROPRIETARY
THIS DOCUMENT CONTAINS CONFIDENTIAL, PROPRIETARY INFORMATION
THAT IS FOX PROPERTY. DO NOT DISCLOSE TO OR DUPLICATE
FOR OTHERS EXCEPT AS AUTHORIZED BY FOX.